

HCG7435C

hanskonner

professionelle qualität

hanskonner

professionelle qualität

hanskonner

professionelle qualität

hanskonner

professionelle qualität

hanskonner

professionelle qualität

hanskonner

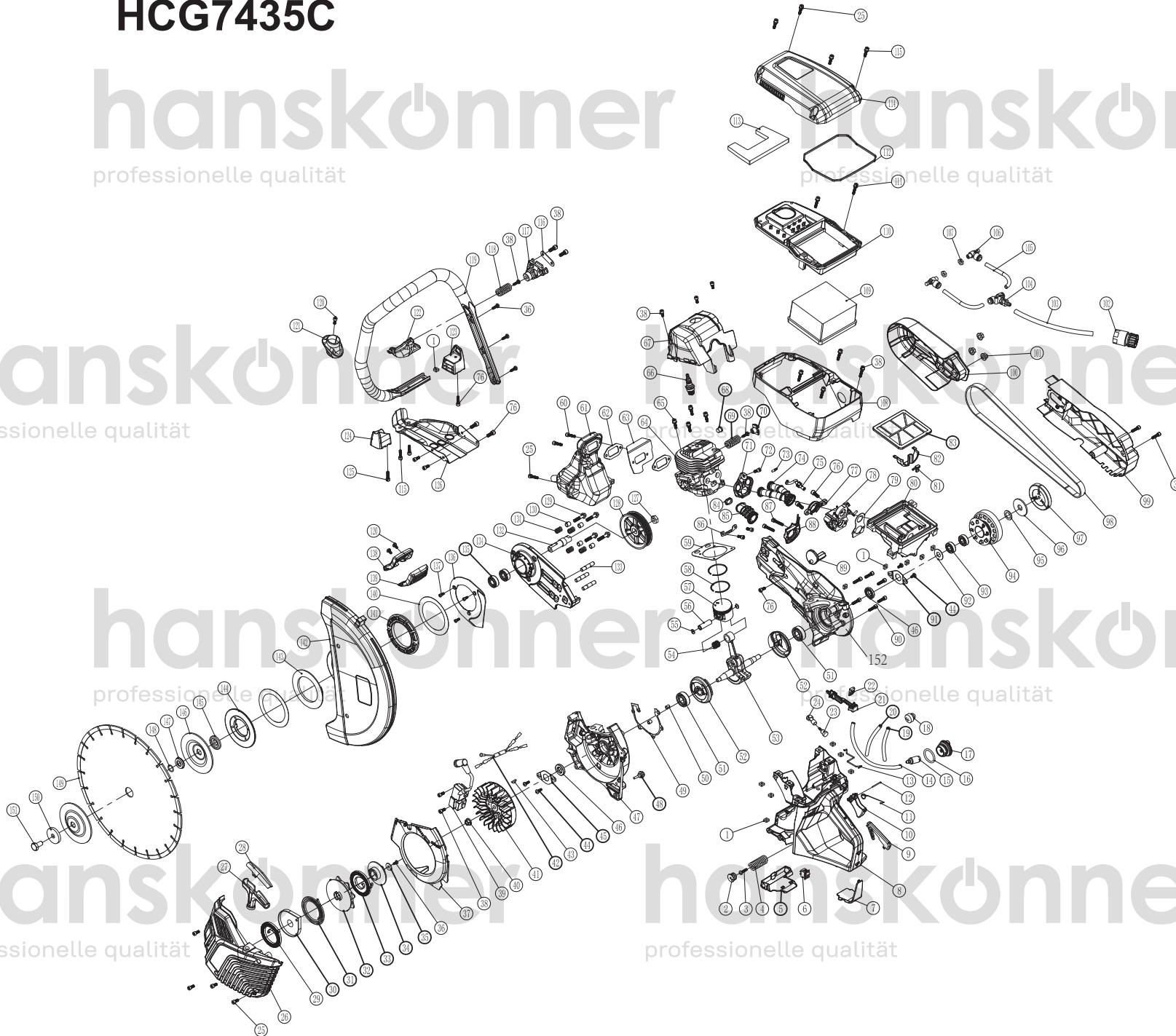
professionelle qualität

hanskonner

professionelle qualität

hanskonner

professionelle qualität



HCG7435C

NO.	DESCRIPTION	NO.	DESCRIPTION	NO.	DESCRIPTION
1	Square Nut M5	53	Crankshaft	104	Tee joint
2	Shock spring seat	54	Needling 12*15*14.7	105	Trachea 8*120
3	Cross self-tapping screw 5*16	55	Piston pin spring 12	106	Throttle valve
4	Shock spring	56	Piston pin 12*33	107	Hex nut 3/8
5	Fuel tank lower guard plate	57	Piston	108	Upper cover
6	Switch	58	Piston ring	109	Air filter
8	Fuel tank	59	Cylinder gasket	110	Middle cover
9	Control arm	60	Hexagon socket head combination screw M5*35	111	Hexagon socket head combination screw M5*50
10	Trigger	61	Muffler	112	sealing strip 3
11	Trigger spring	62	Muffler gasket	113	Air filter sponge
12	Pin 3*38	63	Muffler air guide pad	114	Top cover
13	Throttle push rod	64	Cylinder	115	Hexagon socket head combination screw M5*16
14	Oil pipe	65	Hexagon socket head combination screw M5*30	116	Shock spring seat iron
15	Fuel filter	66	Spark plug	117	Crankcase shock spring seat iron
16	O-ring 3*25	67	Wind shield	118	Crankcase shock spring
17	Oil cap	68	Pressure reducing valve	119	Handle
18	Oil bubble	69	Cylinder shock spring	120	Cross self-tapping screws 5*12
19	Inlet pipe	70	Cylinder shock spring seat	121	Limit sleeve
20	Oil return pipe	71	Inlet pipe seat	122	Handle fixed block
21	Throttle lever	72	Hexagon socket head screw M5*10	123	Right support foot
22	Throttle lever cover	73	Negative pressure nozzle 4	124	Left support foot
23	Balancer	74	Double hole intake pipe	125	Hexagon socket head combination screw M5*40
24	Balancer seat	75	Negative pressure pipe	126	Lower guard
25	Hexagon socket head combination screw M5*25	76	Hexagon socket head combination screw M5*14	127	Hexagonal nut M10*1 reverse tooth
26	Starter cover	77	Inlet pipe flange	128	Large pulley
27	Starter handle	78	Carburetor	129	Hexagon socket head combination screw M6*40
28	Starter handle cover	79	Carburetor gasket	130	Pin sleeve
29	Small coil spring	80	Air filter seat	131	Locking spring
30	Small coil spring plastic cover	81	Vent connector	132	Output shaft
31	Start cord 950	82	U-shaped bead	133	Stud M8*55
32	Big sheave	83	Filter	134	Fixed plate
33	Big coil spring	84	Intake pipe bushing	135	Closed bearing 6202
34	Sheave Cover	85	Intake elbow	136	Dust cover
35	Big gasket 5*16*1.5	86	Intake pipe fixing iron	137	Socket head cap screws M4*8
36	Cross pan head tapping screws 5*16	87	Hexagon socket head combination screw M5*55	138	Adjust the handle cover
37	Shroud	88	Intake pipe holder	139	Adjusting handle lower cover
38	Hexagon socket head combination screw M5*20	89	Adjust the cam	140	Aluminum gasket
39	Ignition coil	90	Hexagon socket head combination screw M5*45	141	Wheel cover large rubber pad
40	Hexagon Nut with Washer M8*1	91	Right crankcase oil seal pressure plate	142	Wheel cover
41	Flywheel	92	Clutch drum bearing gasket	143	Wheel cover small rubber pad
42	Flameout line	93	Bearing 6001	144	Wheel cover connecting flange
43	Half round key 3*13	94	Clutch drum	145	Spacer
44	Big cross head M5*8	95	Gasket 10*22*3	146	Large pressure plate
45	Oil plate of left crankcase	96	Clutch gasket 10*48*1.5	147	Cutting disc reducer
46	Oil seal 15*26*5	97	Clutch	148	O-ring 19*1.9
47	Crankcase	98	Belt PJ880	149	Cutting disc
48	Crankcase rubber shock	99	Side cover	150	Small pressure plate
49	Crankcase gasket	100	Protecting cover	151	Hexagon screw M10*20
50	Pin sleeve 5*7*12	101	Hex Flange Nut M8	152	right crankcase
51	Open bearing 6202	102	Pipe connector		
52	Crankshaft cover	103	Pipe 8mm*2m		